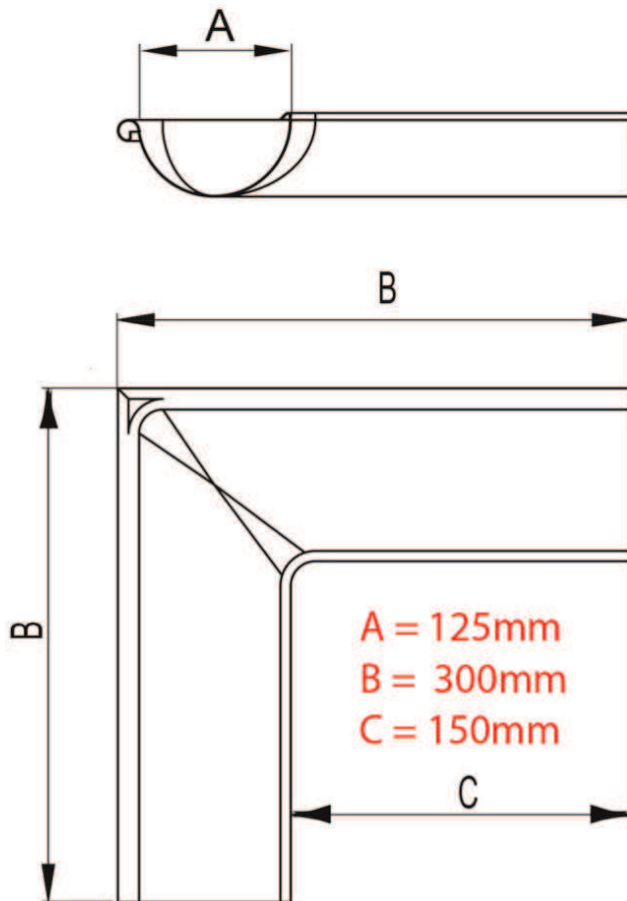




Image is of an external angle.
Internal angles are simply made the other way round

125mm Plain Galvanised 90 degree External & Internal Gutter Corner



125mm Plain Galvanised 90degree External & Internal Gutter Corner

- Mounted on the external corners of the building to take water flow around 90 degree corners
- Connects to the gutter via incorporated joiners (not shown on drawing)
- It is advisable to use corner junction element to strengthen gutter joints at corners
- Rolled edge feature is on the outside (longer edge) of the gutter corner

For instructions on how the gutter corners are fitted with joint brackets and joint elements please click here>>

RoofArt Scandic plain galvanised products come with a 5 year manufacturers guarantee (This does not apply to coastal locations where Prelaq finish material is advised)