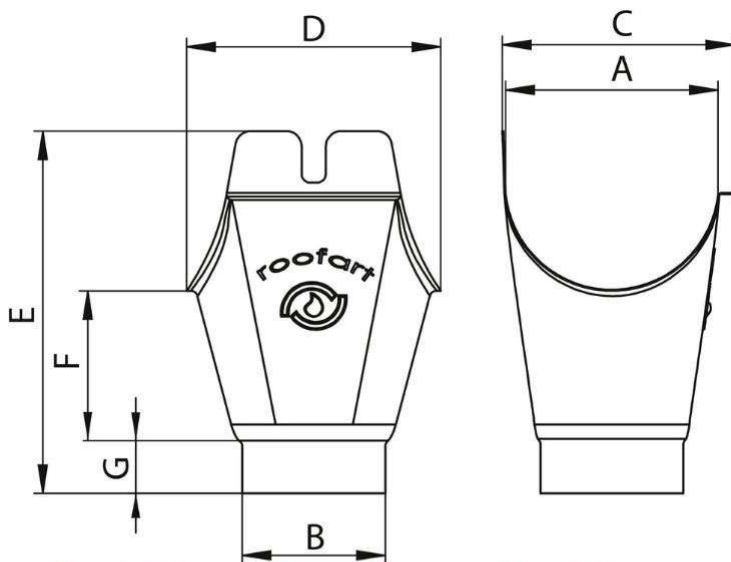




## 125mm to 87mm Plain Galvanised Gutter Outlet



A = 125mm B = 85mm C = 140mm  
D = 150mm E = 212mm F = 87mm  
G = 30mm

### 125mm to 87mm Plain Galvanised Gutter Outlet

- Main element connecting the gutter to the downpipe
- Easy to mount to gutter without any need for extra drilling (wings fold over back edge of gutter)
- A hole will need to be cut into the length of gutter at the desired area to allow water to flow from gutter, through outlet and into rainwater pipe
- Attractive outlet design with Roofart logo stamped into the face

For a detailed guide on how to install the Roofart Metal Gutter Outlet please see our installation video

RoofArt Scandic plain galvanised products come with a 5 year manufacturers guarantee (This does not apply to coastal locations where Prelaq finish material is advised)

