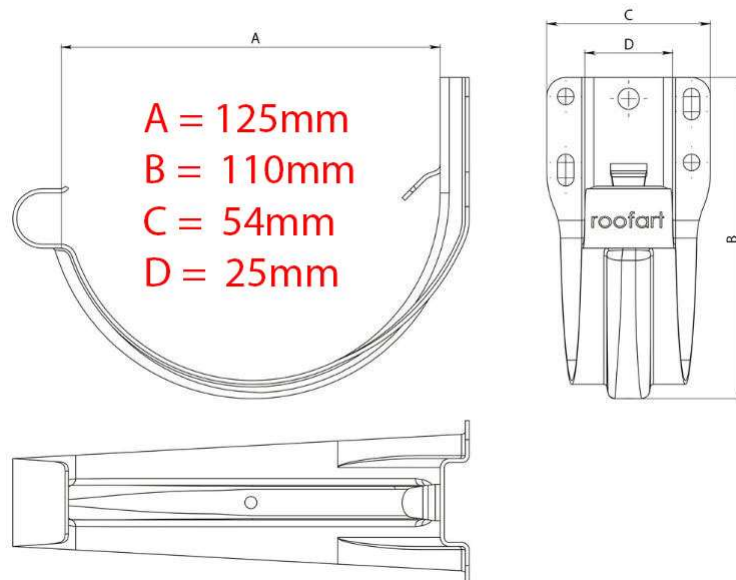




125mm Plain Galvanised Universal Bracket



125mm diameter Plain Galvanised Universal Gutter Bracket (Fascia Bracket)

- Ideal bracket to be mounted directly to fascia board
- Can also be used with a gutter support to then be fixed from rafter as an adjustable rafter bracket
- Strong but light weight bracket featuring support rib design to add strength
- Gutter requires support at maximum span between brackets of 800mm
- Note that the back edge of the bracket stands 40mm above the back edge of the back edge of the gutter. This means that the fascia board must allow for fixing points above the line of the gutter (this is normal practice on most projects but worth checking the bracket dimensions in the drawing opposite)

For more detail on how to fix this steel guttering and associated gutter brackets please see our installation downloads

RoofArt Scandic plain galvanised products come with a 5 year manufacturers guarantee (This does not apply to coastal locations where Prelaq finish material is advised)