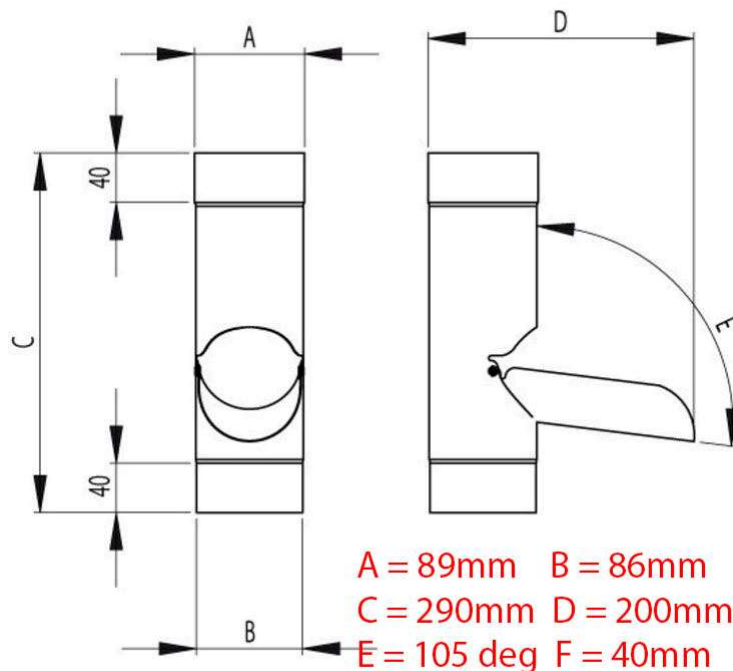




87mm Plain Galvanised Manual Rainwater Diverter



87mm Plain Galvanised Steel Steel Manual Rainwater Diverter

- Folds down to direct water to another circuit or water butt
- Keep closed for water to continue to flow direct to drainage
- Socketed (female end) at the top to allow fitting directly over plain end of pipe above
- Spigoted (male end) at the bottom to allow fitting directly into plain end of pipe below