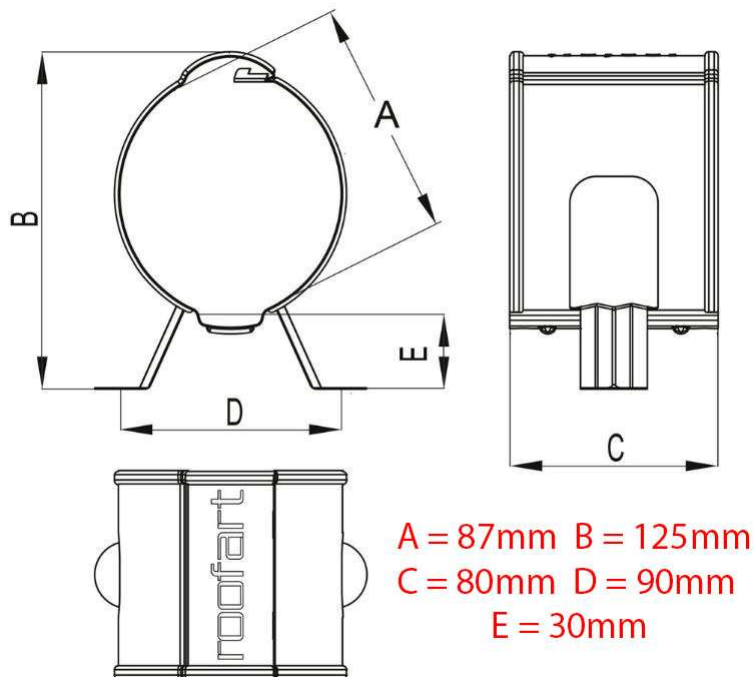




## 87mm Plain Galvanised Pipe Holder



87mm Galvanised Pipe Holder designed to offer a good downpipe installation on the front part of the building.

- Fixes downpipe to building facade
- "Click" type locking system
- Can be fixed through wings to stand off the building, or cut the wings off to fix through the back of the holder
- Conceals the joints between two downpipes or between downpipe and shoe