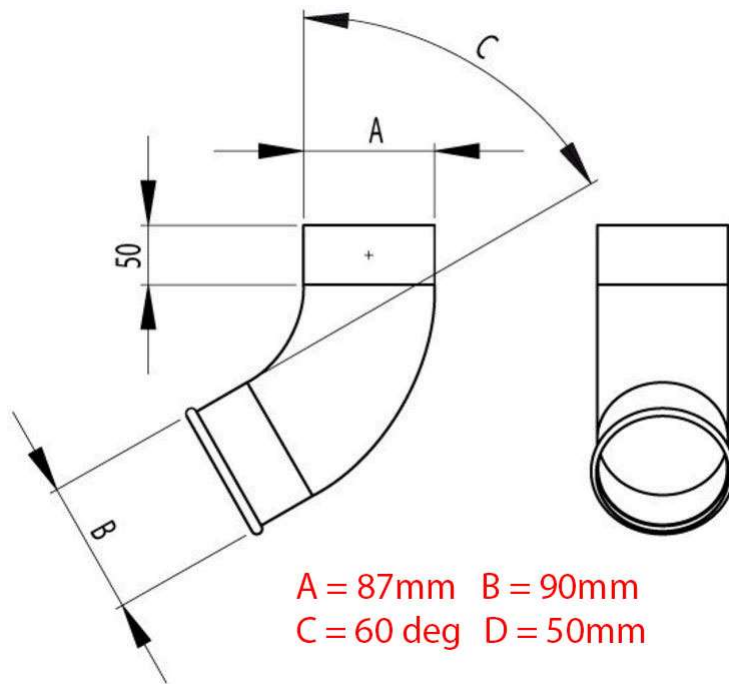




87mm Plain Galvanised Downpipe Shoe



87mm Galvanised Downpipe Shoe.

- Fits to the bottom of the downpipe to project water away from the building
- Requires the spigot (male end) of the downpipe to fix in to the shoe
- Compatible with other makes of 87mm diameter galvanised steel downpipe
- Returned edge at the bottom of shoe to allow for smooth water flow