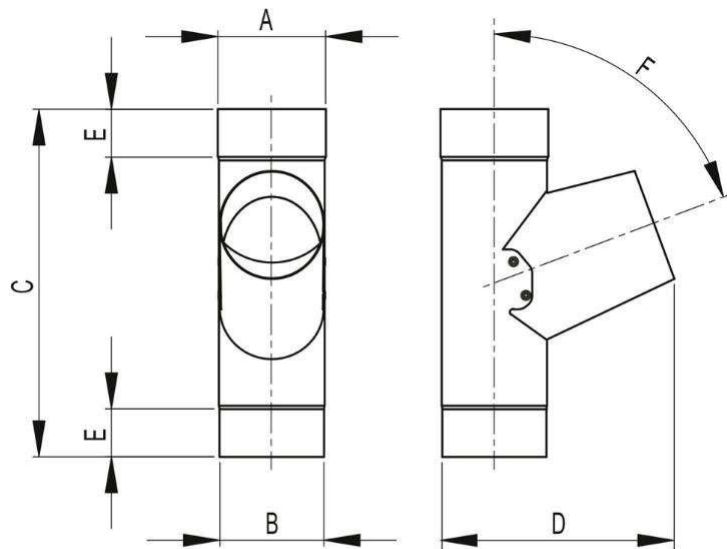




## 87mm Plain Galvanised Downpipe Branch



A = 89mm B = 86mm C = 290mm  
D = 180mm E = 40mm F = 60 deg

87mm Galvanised Downpipe Branch.

- Joins two water drainage columns
- Helps to reduce costs by eliminating the need for extra drainage
- Branch angle at 60 degree for incoming downpipe