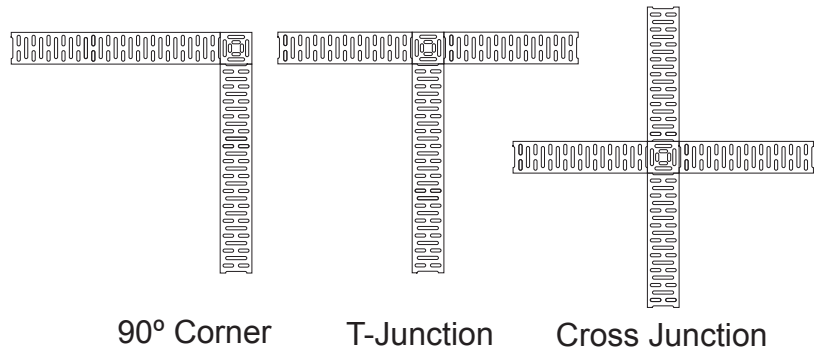
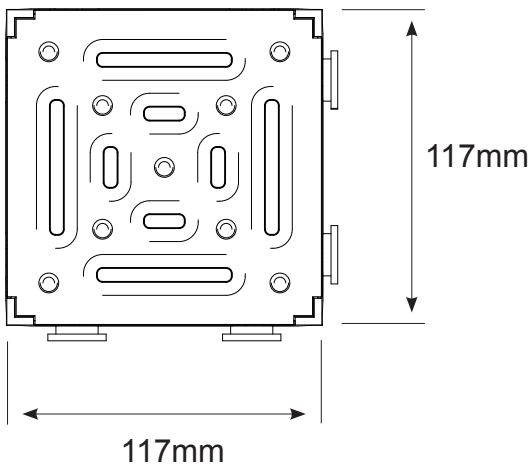
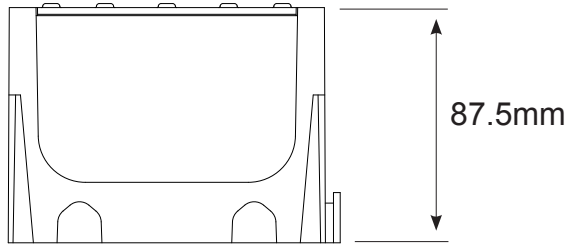
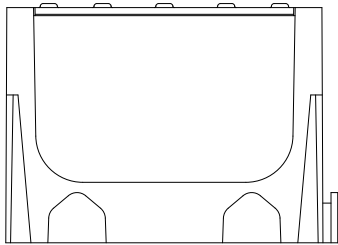


SmartDrain Junction Unit

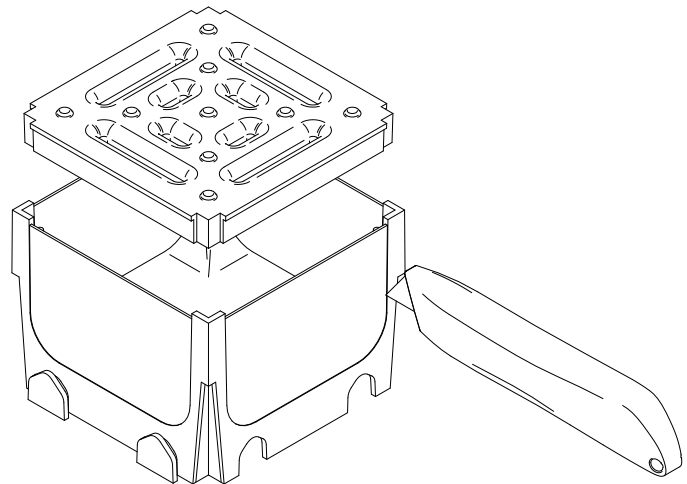
CODE GPD-JU-12



90° Corner

T-Junction

Cross Junction



Description

The Manthorpe SmartDrain Junction Unit is to be used when a 90° corner, T-junction or cross junction needs to be produced when laying the SmartDrain system. The Junction Unit has thinned out side walls which can be easily removed with a craft knife. Simply remove whichever and however many sides required and connect to the rest of the system with the easy to fix clips. The junction unit is made up of the channel base and grate lid which falls into the channel, locating on its four location pins. Available with a black or silver grate.

References

BS EN 1433:2002

Packing Details	12 per box
Weight	2.70kg
Colour	Black/ Silver
Material	Polypropylene
Production process	Injection Moulded

MANTHORPE BUILDING PRODUCTS LTD
 MANTHORPE HOUSE
 BRITAIN DRIVE
 CODNOR GATE BUSINESS PARK
 RIPLEY
 DERBYSHIRE DE5 3ND

TEL: 01773 514 200
 FAX: 01773 514 262
 EMAIL: sales@manthorpe.co.uk
 WEB www.manthorpe.co.uk

DRN M.R

Date 10/04/09

DRG No

MBP 8282

Issue

A

The company maintains a policy of continuous development of its product range and reserves the right to amend the specification without notice.