

# COMPOSITE FENCING INSTALLATION GUIDE



## CONTENTS

- |   |   |
|---|---|
| 1. Planning your project                    | 2 |
| 2. Marking out the run                      | 2 |
| 3. Mounting the first post                  | 2 |
| 4. Fixing your posts in concrete            | 2 |
| 5. Securing the gravelboard and fence panel | 3 |
| 6. Creating a fence on a slope              | 3 |
| 7. Hanging a gate                           | 3 |

### If in doubt at any stage

If you need any assistance, please contact the  
Composite Fencing Customer Services department



**0800 988 7309**



**customer@deeplas.co.uk**

# INSTALLATION GUIDE

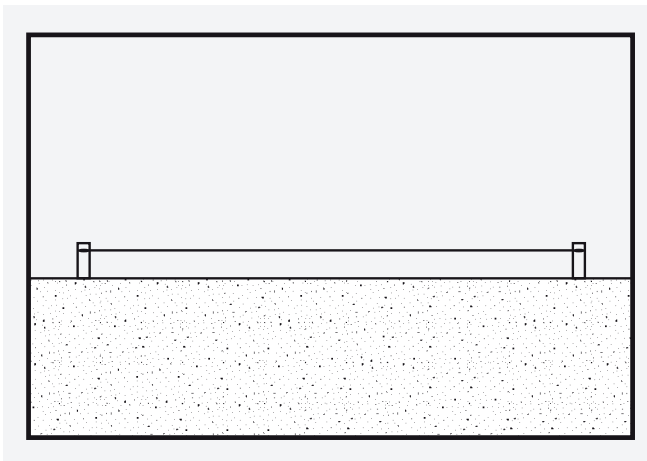
Installation of a composite fencing product is easy and straightforward. All our products are compatible with recognised building and fencing materials. Composite fencing can be sawn and fixed using traditional cutting tools. This easy-to-understand guide provides a detailed summary of installation.

## 1. PLANNING YOUR PROJECT

All fence panels are made to a standard 6ft (1.828m) width, and are usually available in four heights - 3ft (900mm), 4ft (1.2m), 5ft (1.52m) and 6ft (1.8m). If gravel boards are to be utilised, you should make an allowance of 1ft (300mm) when choosing panel heights. Posts will be 2ft (600mm) longer than the actual fence height (including the gravel board if actually used). Composite fencing posts should be concreted into the ground to ensure that the fence is sturdy. Allow 2ft (600mm) above the chosen fence height when deciding on post height. This extra 2ft (600mm) will be set below ground level in the concrete. Longer posts will be needed for sloping or soft ground.

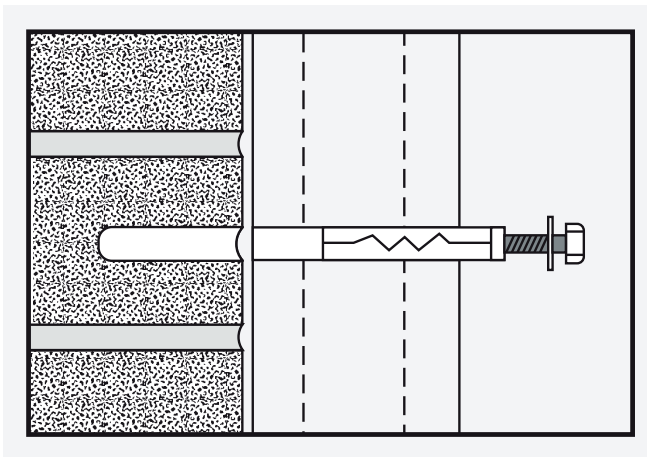
## 2. MARKING OUT THE RUN

Establish the line of the fence by stretching a strong cord between stakes at the extremities of the run. Note that the posts should always be on your side of the boundary. Be sure to clear away any plants and vegetation along the line of the fence.

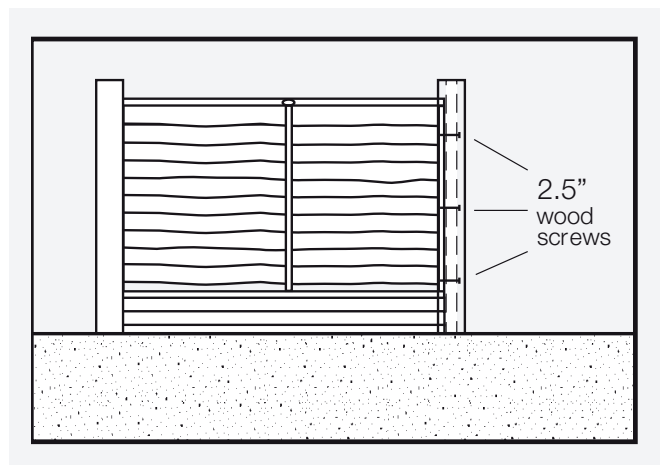


## 3. MOUNTING THE FIRST POST

The first post will be the datum point for the complete run and therefore must be set accurately and upright. If the fence is running up to the house make sure the first post is securely attached to the building with wall anchors i.e. drilled and plugged. Be sure to insert these directly into the brickwork and not into the mortar.

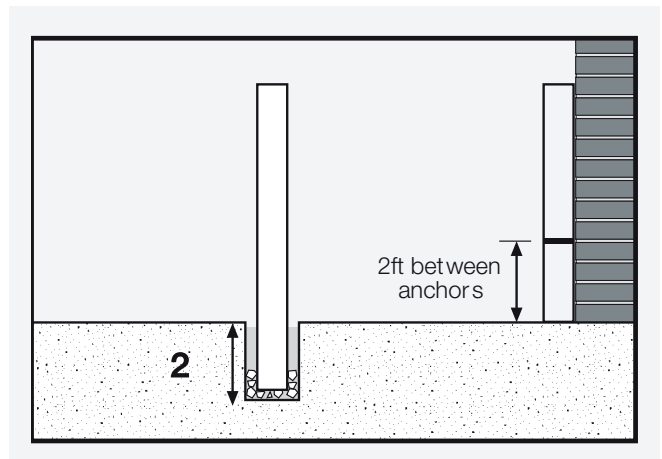


Anchors should be spaced no more than 2ft (0.6m) apart with no less than two in total. Drill the holes in the post first and allow only a small clearance over the shank diameter of the anchor bolt. Offer the post to the wall ensuring it is level in both vertical planes and aligned correctly (using a spirit level and engineers square). If necessary use packing between the post and the wall. Bolt the post firmly into position. If the first post is in open ground it will again need to be upright and perpendicular to the ground in both vertical planes and facing accurately in the correct direction. Mount in concrete as detailed below then attach to the first fence panel using 2.5" wood screws.

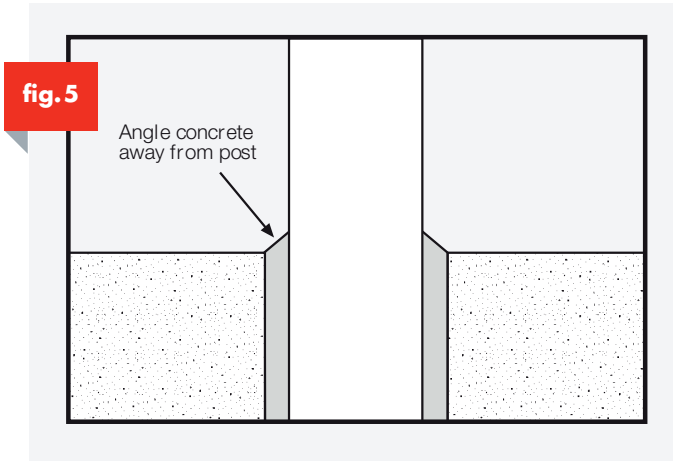


## 4. FIXING YOUR POSTS IN CONCRETE

Following the line you have marked, using either a post borer or spade, dig holes to accommodate the posts at a minimum depth of 26" (650mm). Pack the base of the hole with approximately 50mm of broken brick or stone hardcore to provide initial support for your post.

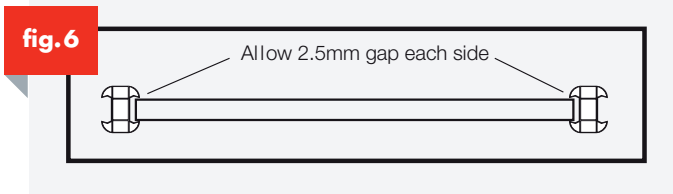


Utilising wooden braces for support as well as a spirit level, and square for positioning, pack with more hardcore around the bottom of the post leaving approximately 1ft (300mm) for further packing and concrete. When you are satisfied the post is level fill the hole with concrete. You should allow a full 24 hours for the concrete to go off and set before removing the support braces. A good tip would be to use quick drying concrete, which should save time and allow the fence to become permanent within a shorter space of time.

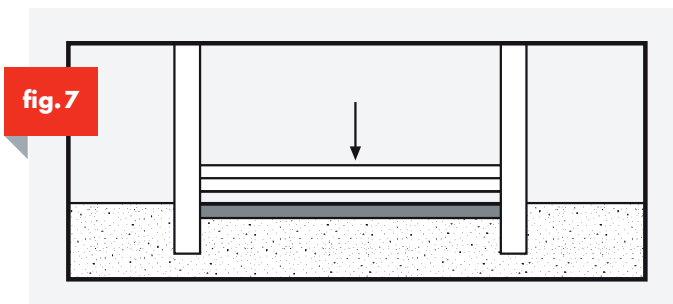


When finishing the concrete around the base of the post, angle the concrete away from the post to allow rainwater to drain away easily.

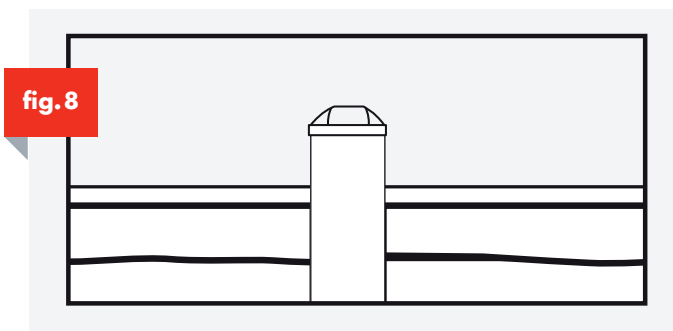
## 5. SECURING THE GRAVELBOARD AND FENCE PANEL



Place the gravel board into the 'H' slot of the post and align. The gravelboard may be sunk into the ground to provide a more secure fitting. Position your next post in place allowing a 2.5mm expansion gap at both ends of the gravelboard (use spacers).

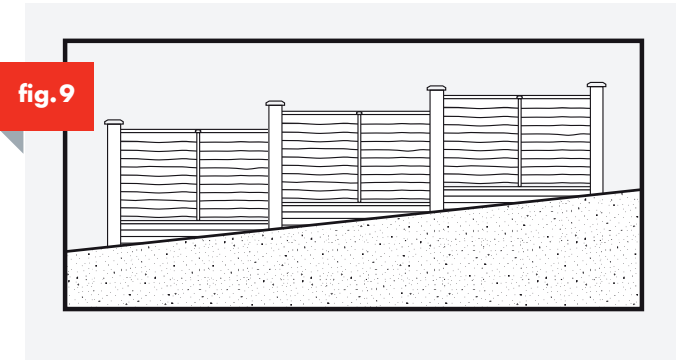


Secure the post as above, and finally, slot the fence panel between the two posts. If required, cut the posts down to size using standard cutting tools and complete by fitting decorative caps to posts.



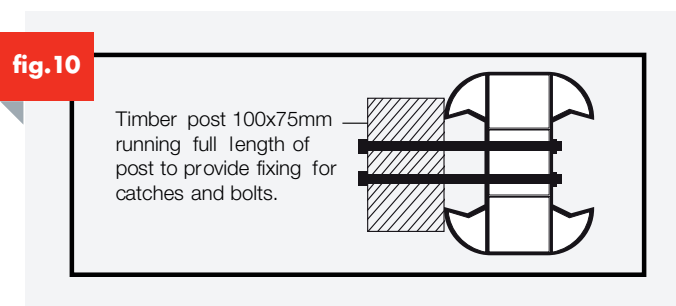
## 6. CREATING A FENCE ON SLOPE

Essentially the methods above can be used to create a sloping fence. Cut your PVC gravel board to shape using standard cutting tools to provide a terrace effect. Longer fence posts may be required to compensate for the stepped panels (please refer to your local supplier). Where possible, attempt to spread the change as evenly as possible over the fence run to provide a more aesthetically pleasing finish.



## 7. HANGING A GATE

In order to hang a gate a timber post can be fixed to the composite fencing post as shown in fig (10) below. This will allow a fixing point for the hinges and catches. We would also recommend that when composite fencing posts are used as gate posts that a high flow rapid strength grout (not concrete) is poured down them to the top of the posts to reduce flex as much as possible during the gates normal operation of opening and closing.



## NOTE

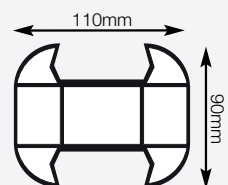
Each job is different and for fences over 6' tall, a high flow rapid strength grout (not concrete) should be poured down the posts to reduce the appearance of flex. This step can be done to any fence at any time if the flex is more than you wish.

Once erected composite fencing DOES NOT require maintenance for protection against rot and decay, it can't rot that's the beauty of composite fencing, it will weather naturally just like any other outdoor product.

Please note as we are replicating the characteristics of timber, products will vary in shade and grain effect. Some boards will have less grain and others will have grain effect, some products may also show the inner core material. All these effects are normal and part of the manufacturing process and in no way affect the longevity of composite fencing. Composite fencing will fade naturally, as does timber, and this in no way will affect the longevity of the product.

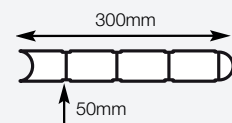
## TECHNICAL DETAILS

### POSTS



- 9' Post 110 x 90 x 2743mm
- 8' Post 110 x 90 x 2438mm
- 6' Post 110 x 90 x 1829mm

### GRAVEL BOARD



- 6' Gravel Board 300 x 50 x 1829mm

